



香港中文大學

The Chinese University of Hong Kong

CENG3430 Rapid Prototyping of Digital Systems

Lecture 11:

**Rapid Prototyping (III) –
High Level Synthesis**

Ming-Chang YANG

mcyang@cse.cuhk.edu.hk



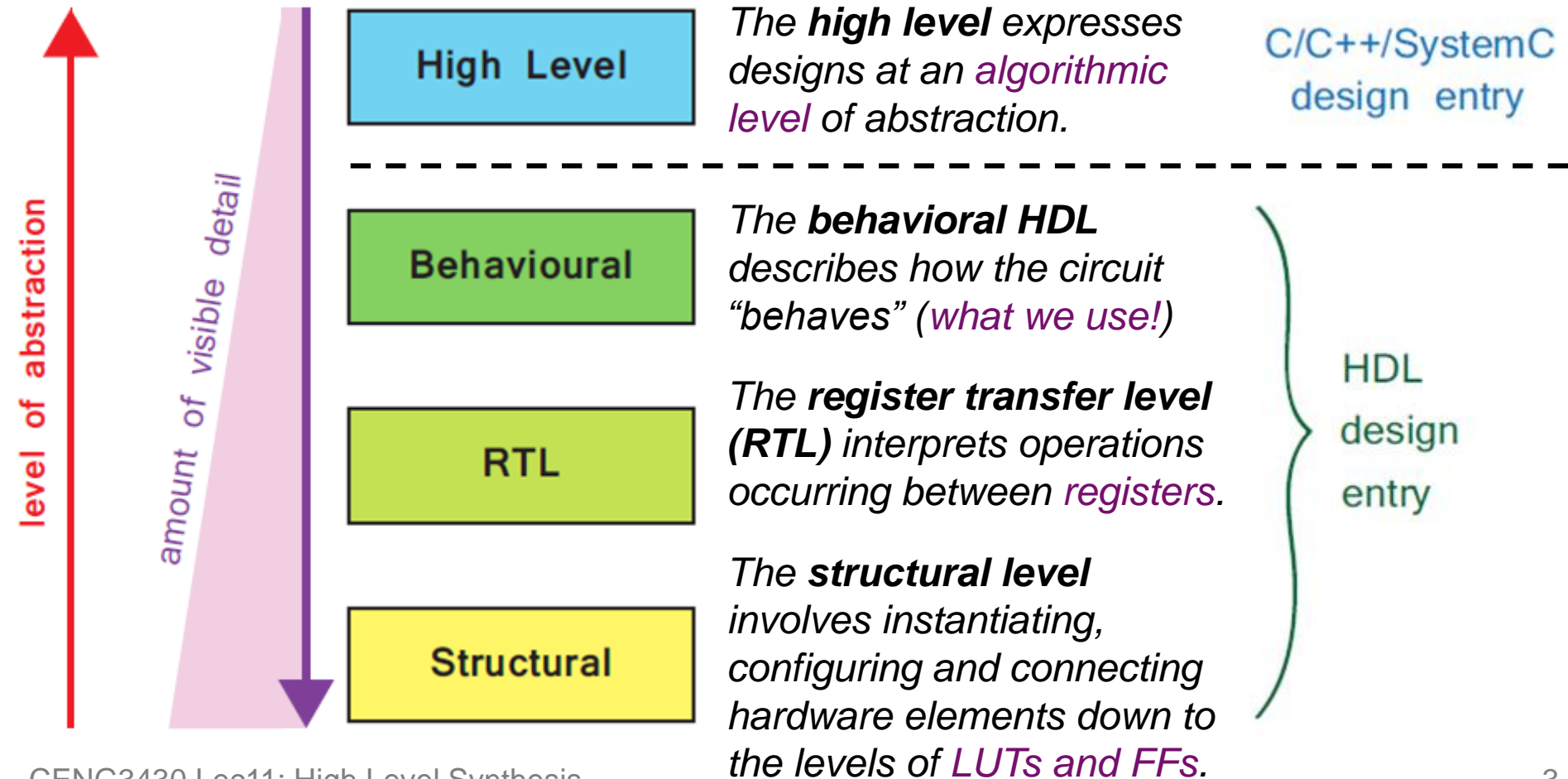


- High-Level Synthesis Concepts
 - What is, and Why High-Level Synthesis
 - Design Metrics in HLS
- Vivado High-Level Synthesis
 - Inputs and Outputs
 - High-Level Synthesis Process
 - Interface Synthesis
 - Algorithm Synthesis
 - Algorithm Case Study: Loops
 - Wrap-up: Vivado HLS Design Flow
- Lab Exercise: Accelerating Floating Point Matrix Multiplication with HLS

What is High-Level Synthesis (HLS)?

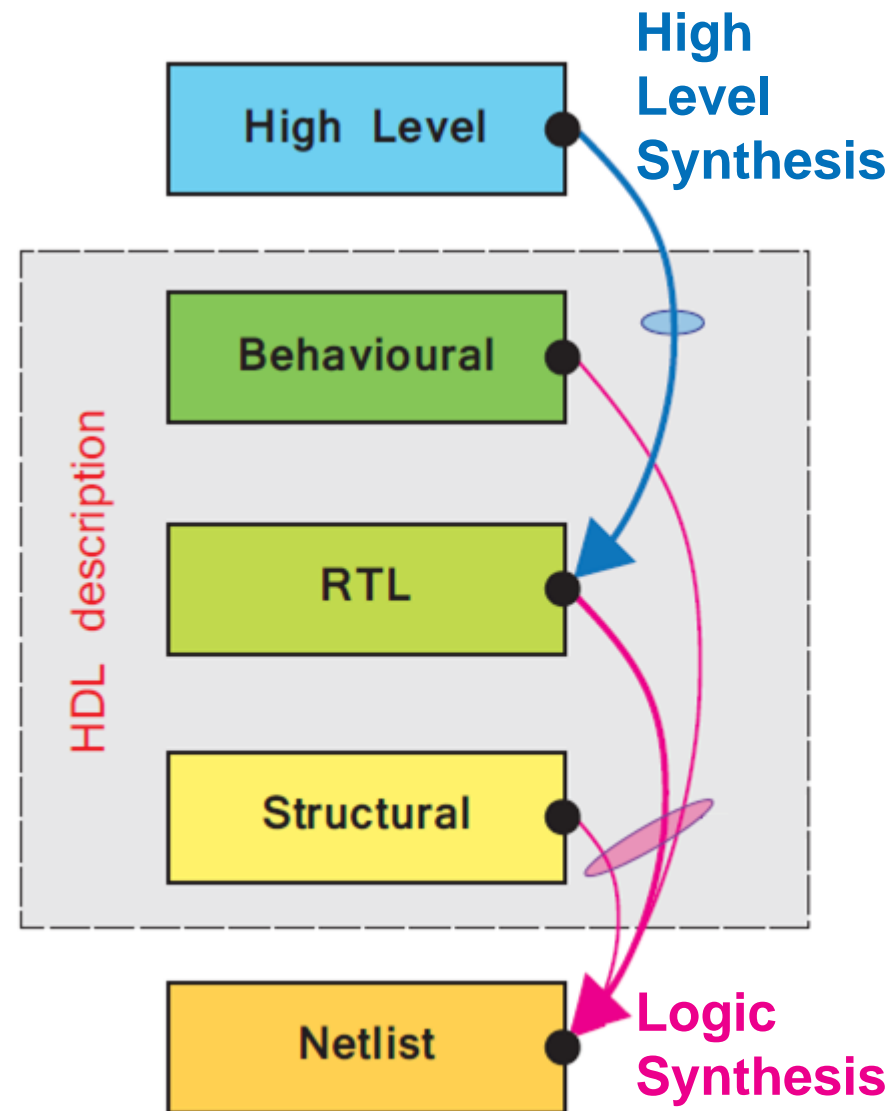


- By **abstracting/hiding** low-level details with high-level representations, **high-level synthesis (HLS)** **simplifies** the description of the circuit dramatically.



High-Level Synthesis & Logic Synthesis

- **High-level synthesis** means synthesizing the **high-level code** into an **HDL description**.
- In FPGA design, the term “synthesis” usually refers to **logic synthesis**.
 - The process of interpreting **HDL code** into the **netlist**.
- When taking a HLS design, both types of “syntheses” are applied (one after the other)!



Why High-Level Synthesis (HLS)?



- The designers simply **direct** the process, while the HLS tools (i.e., Vivado HLS) **implement** the details.
 - Designs can be generated **much more rapidly**.
 - The designer must trust the HLS tools in implementing lower-level functionality correctly and efficiently.
- HLS separates the **functionality** and **implementation**.
 - The source code **does not fix** the actual implementation.
 - Variations on the implementations can be created quickly by applying appropriate **directives** to the HLS process.
 - Rather than having to fundamentally rework the source code.
- HLS from software languages is **convenient**.
 - Engineers are comfortable with languages such as C/C++.
- In one word: HLS shoots for **productivity**.

Machine Learning Drives HLS Boom



- **HLS** is experiencing a new wave of popularity, driven by its ability to handle machine-learning matrices and iterative design efforts.

“When you implement the inference engine, you take the original network model and run it on an edge or mobile device,” according to Mike Fingeroff, HLS technologist at [Mentor, a Siemens Business](#). “You reduce the area and power of the IC, but you look at performance, especially if it’s part of something like an ADAS in an automated vehicle that has some requirement for real-time performance. To get the best performance you have to tailor the hardware to a specific network and optimize the model to contribute to that.”

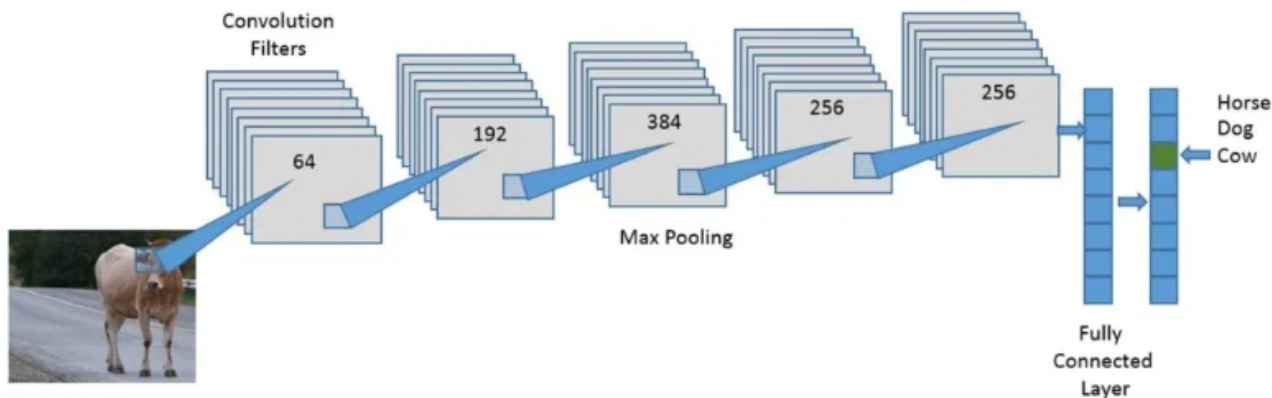
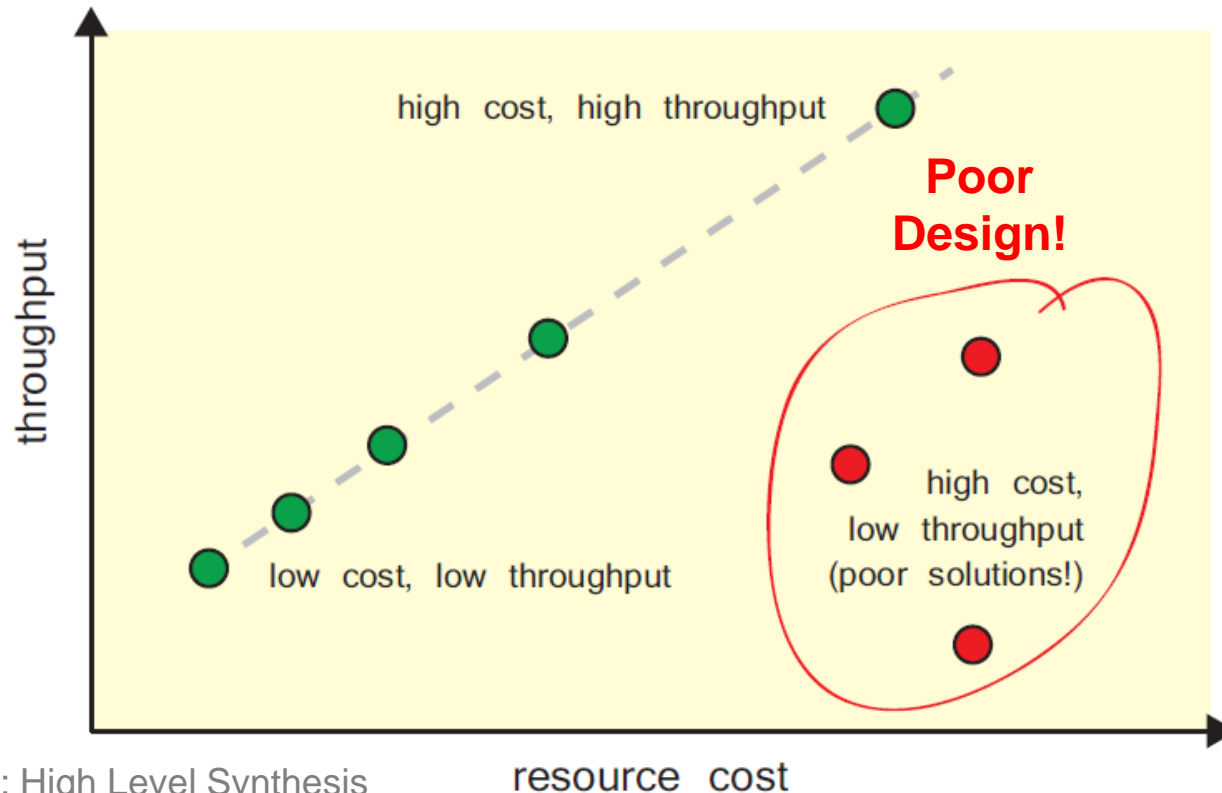


Fig. 1: Higher levels of abstraction are necessary for complex convolutional designs. Source: Mentor, a Siemens Business

Design Metrics in HLS



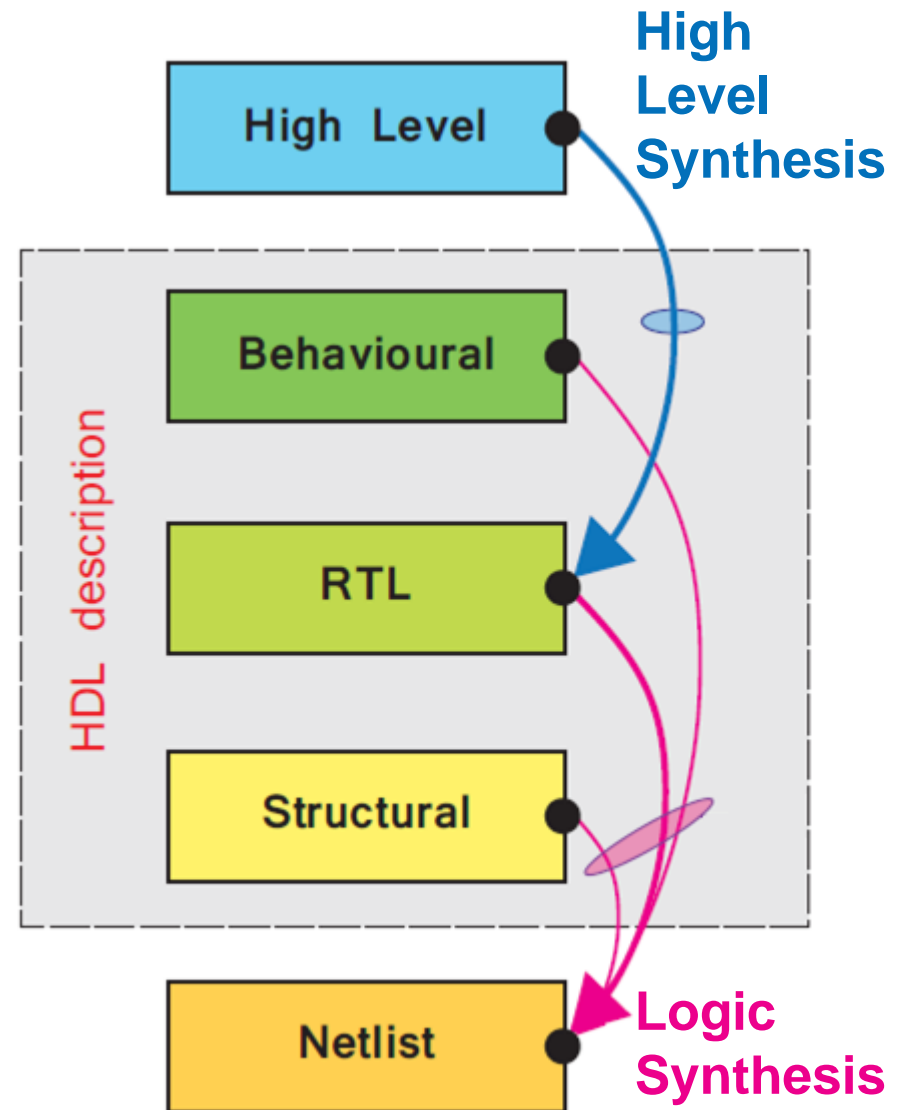
- Hardware design always faces a **trade-off** between:
 - Area, or Resource Cost** — the amount of hardware required to realize the desired functionality;
 - Speed** (specifically **throughput** or **latency**) — the rate at which the circuit can process data.





- High-Level Synthesis Concepts
 - What is, and Why High-Level Synthesis
 - Design Metrics in HLS
- Vivado High-Level Synthesis
 - Inputs and Outputs
 - High-Level Synthesis Process
 - Interface Synthesis
 - Algorithm Synthesis
 - Algorithm Case Study: Loops
 - Wrap-up: Vivado HLS Design Flow
- Lab Exercise: Accelerating Floating Point Matrix Multiplication with HLS

- In short, Vivado HLS:
 - 1) First **transforms** a C, C++, or *SystemC* design into an RTL implementation;
 - That is, all C-based designs in HLS are for implementations in programmable logic (PL).
 - Which are distinct from software code intended to run on the processor.
 - 2) Then **synthesizes** the RTL implementation onto the programmable logic (PL) of a Xilinx FPGA or Zynq device.



Inputs to Vivado HLS



1) C/C++/SystemC Files

- Functions to be synthesized.

2) C Testbench Files

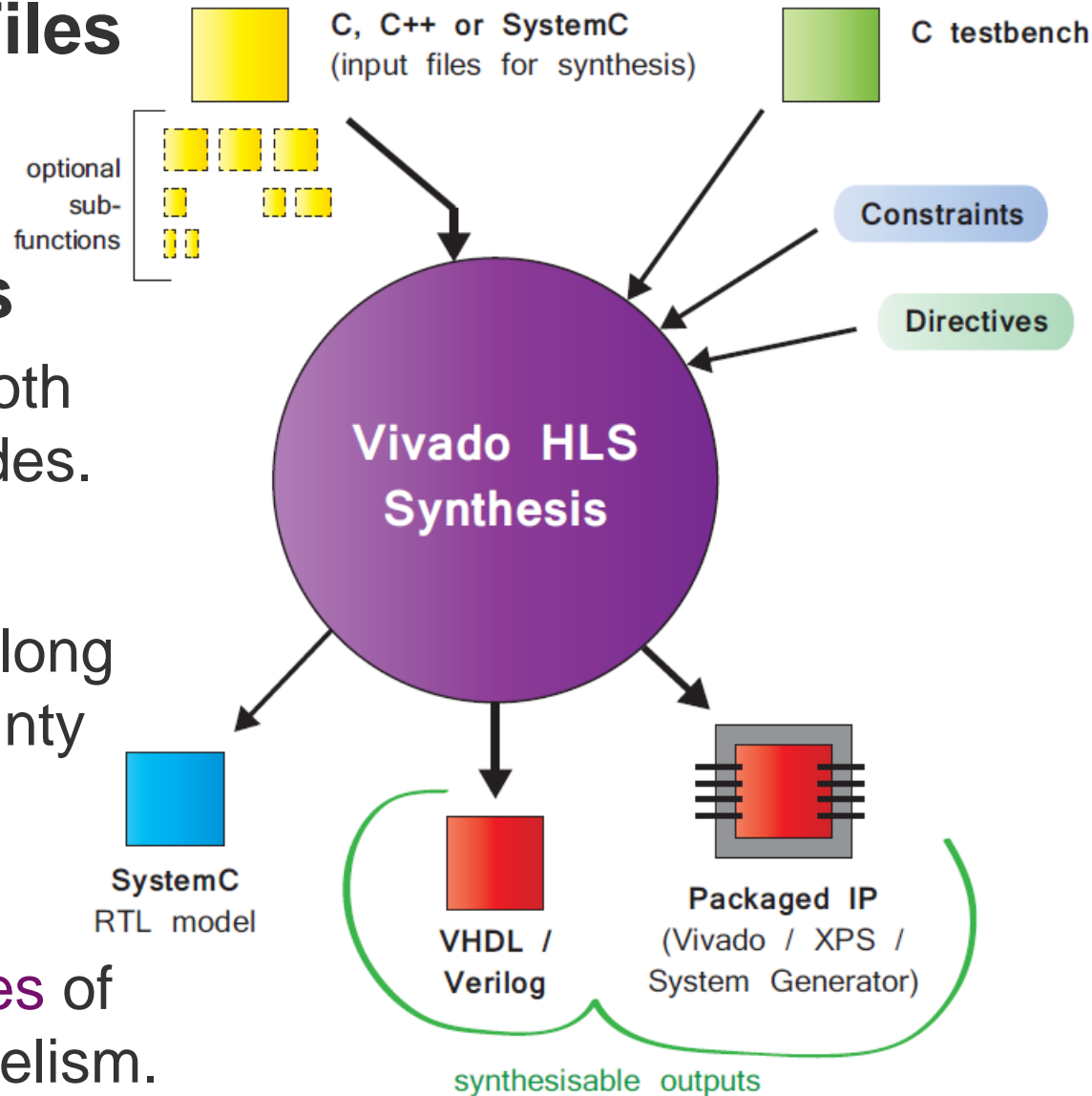
- Basis for verifying both C code and RTL codes.

3) Constraints

- Timing constraints along with a clock uncertainty and device details.

4) Directives

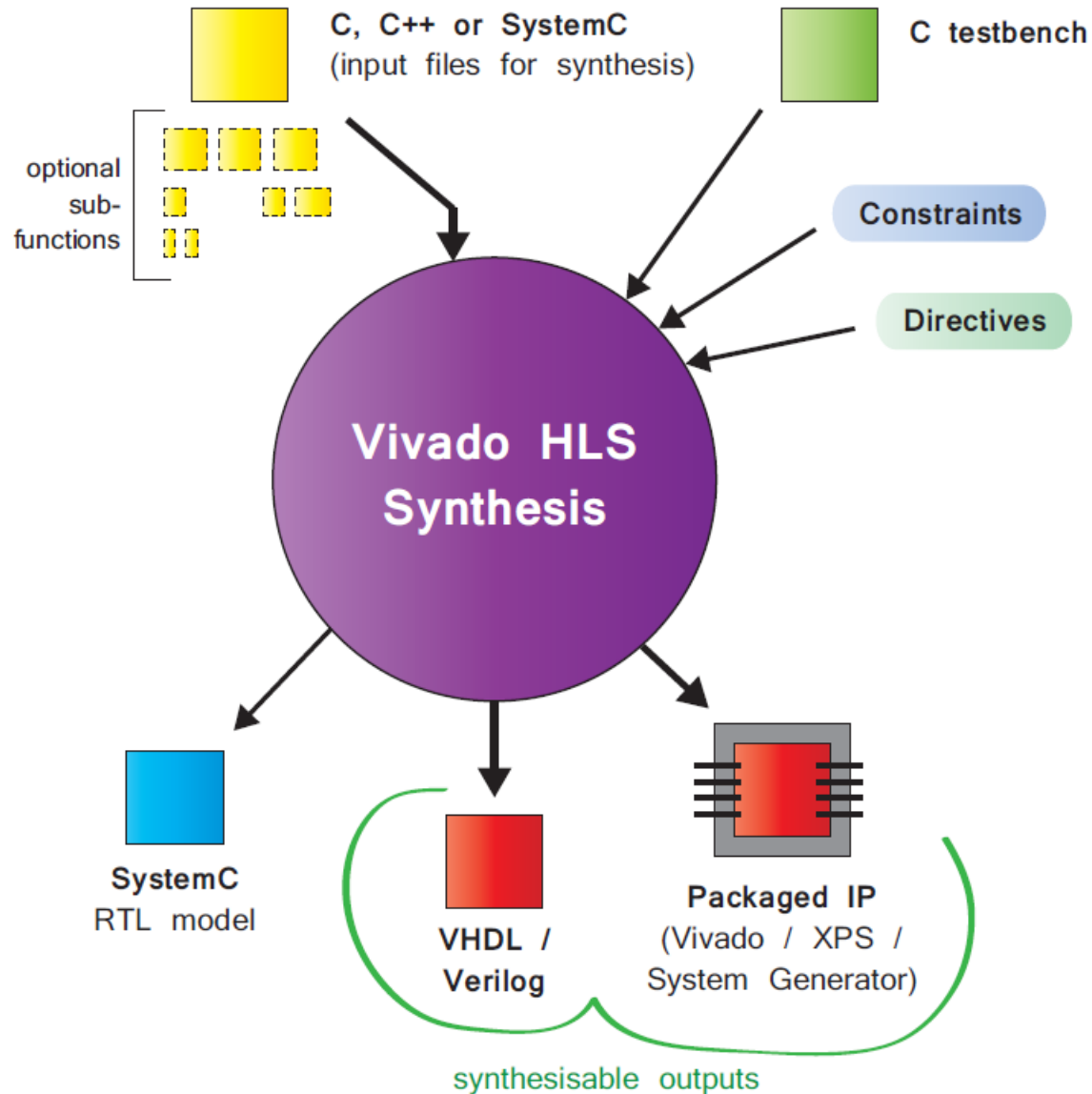
- Implementation styles of pipelining and parallelism.



Outputs from Vivado HLS



- The possible **outputs** produced could be:
 - 1) **VHDL or Verilog files/codes**
 - 2) **Packaged IP** (for Block Design in Vivado)
 - 3) **SystemC model**
- The designer can choose based on different **“prototyping styles”**.



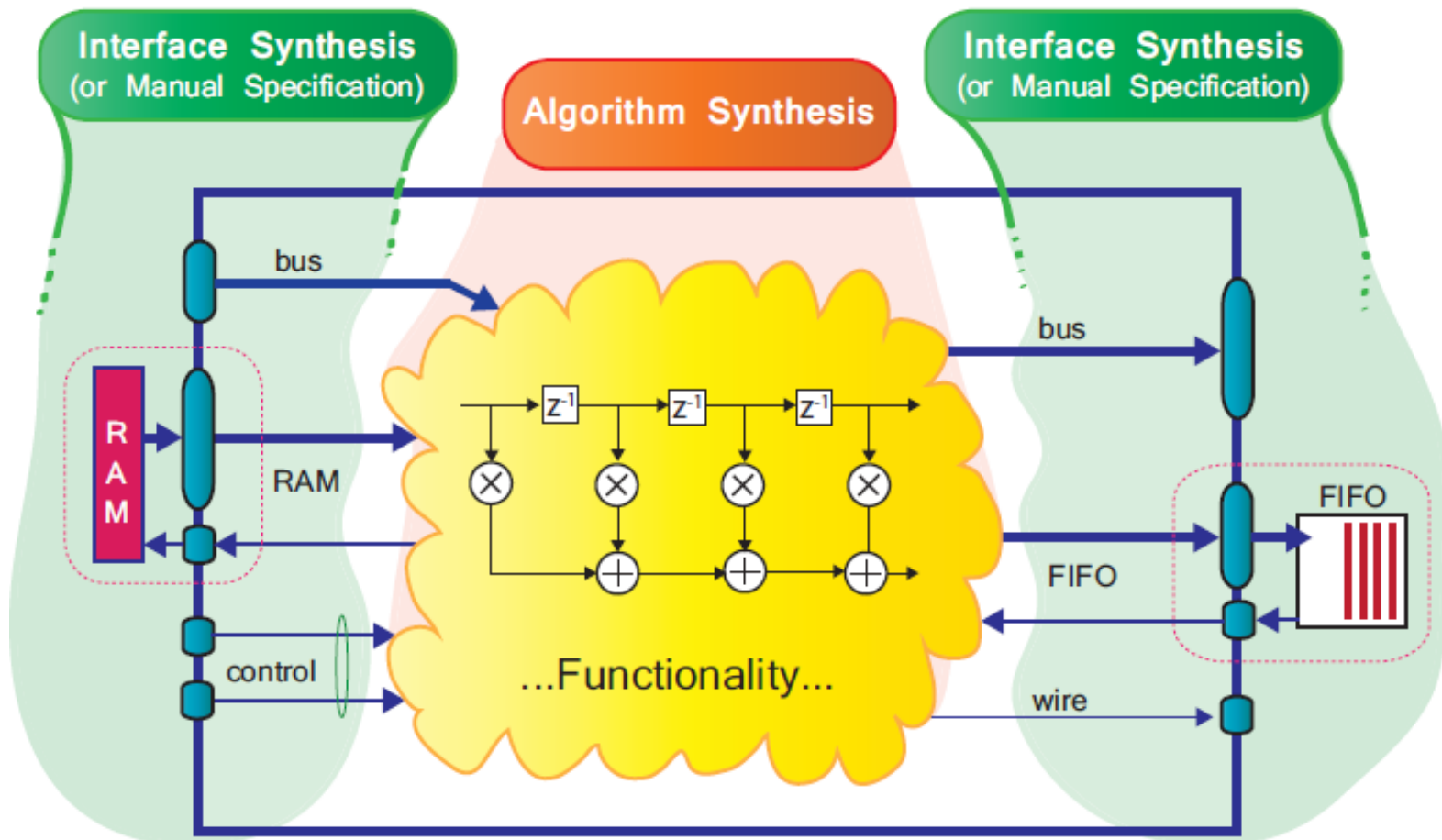


- High-Level Synthesis Concepts
 - What is, and Why High-Level Synthesis
 - Design Metrics in HLS
- Vivado High-Level Synthesis
 - Inputs and Outputs
 - High-Level Synthesis Process
 - Interface Synthesis
 - Algorithm Synthesis
 - Algorithm Case Study: Loops
 - Wrap-up: Vivado HLS Design Flow
- Lab Exercise: Accelerating Floating Point Matrix Multiplication with HLS

Vivado HLS Process



- The HLS process involves two major aspects:
 - 1) The **interface** of the design, i.e. its top-level connections,
 - 2) The **functionality** of the design, i.e. the algorithm(s).

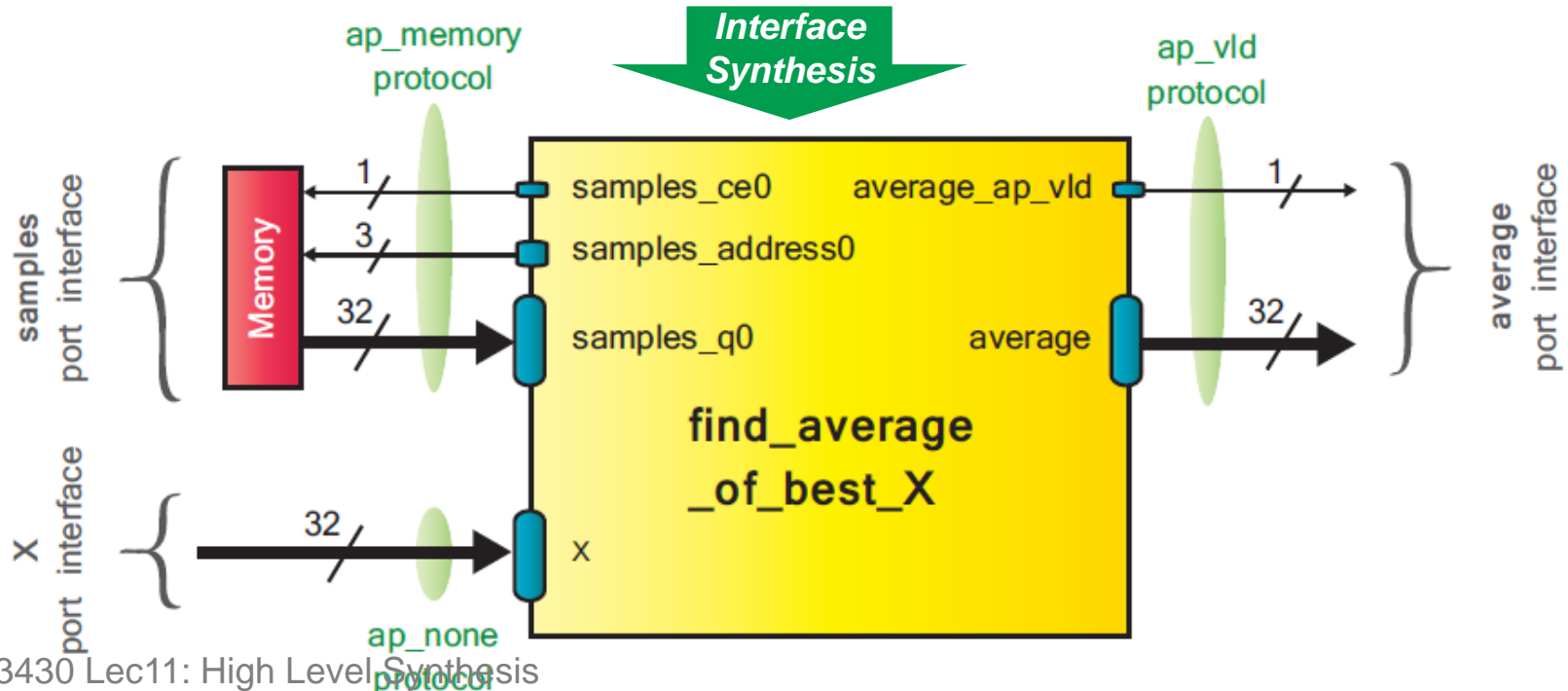


Vivado HLS: Interface Synthesis



- The **interface** can be created manually, or inferred automatically from the code (**interface synthesis**).
 - The **ports** are inferred from the top-level **function arguments** and **return values** of the source C/C++ file;
 - The **protocols** are inferred from the behavior of the ports.

```
void find_average_of_best_X (int *average, int samples[8], int X)
```





- The **algorithm synthesis** comprises three primary stages, which occur in the following order:
 - 1) Extraction of Data Path and Control
 - 2) Scheduling and Binding
 - 3) Optimizations

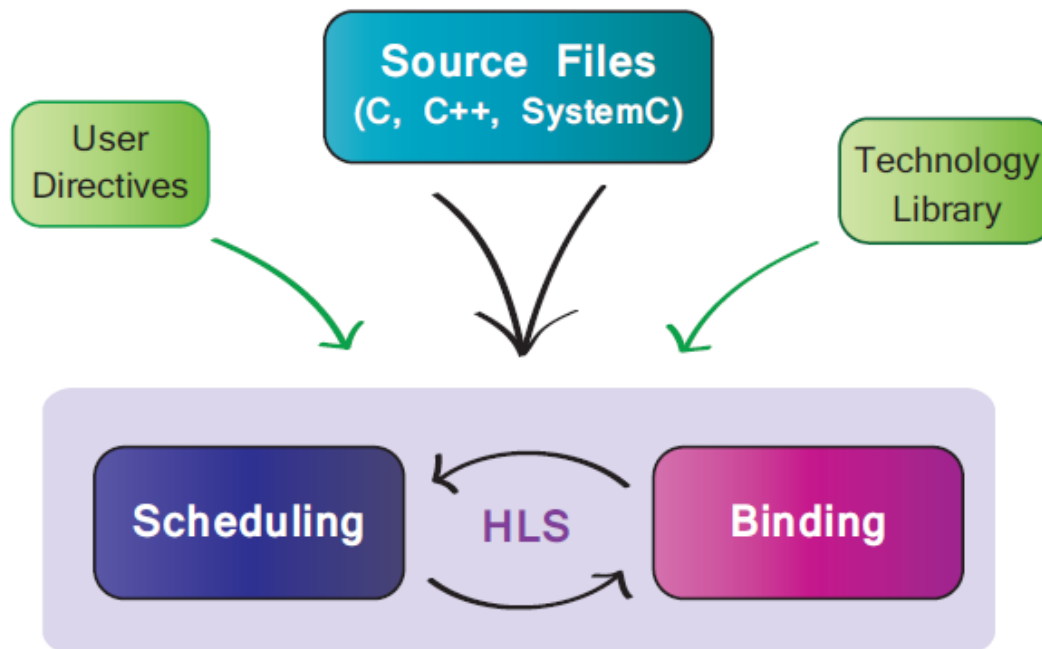
1) Extraction of Data Path and Control

- The first stage of HLS is to **analyze** the C/C++/SystemC code and **interpret** the required functionality.
- The implementation will normally have a **datapath** component, and a **control** component.
 - **Datapath**: operations performed on the data samples,
 - **Control**: the circuitry required to co-ordinate dataflow processing.



2) Scheduling and Binding

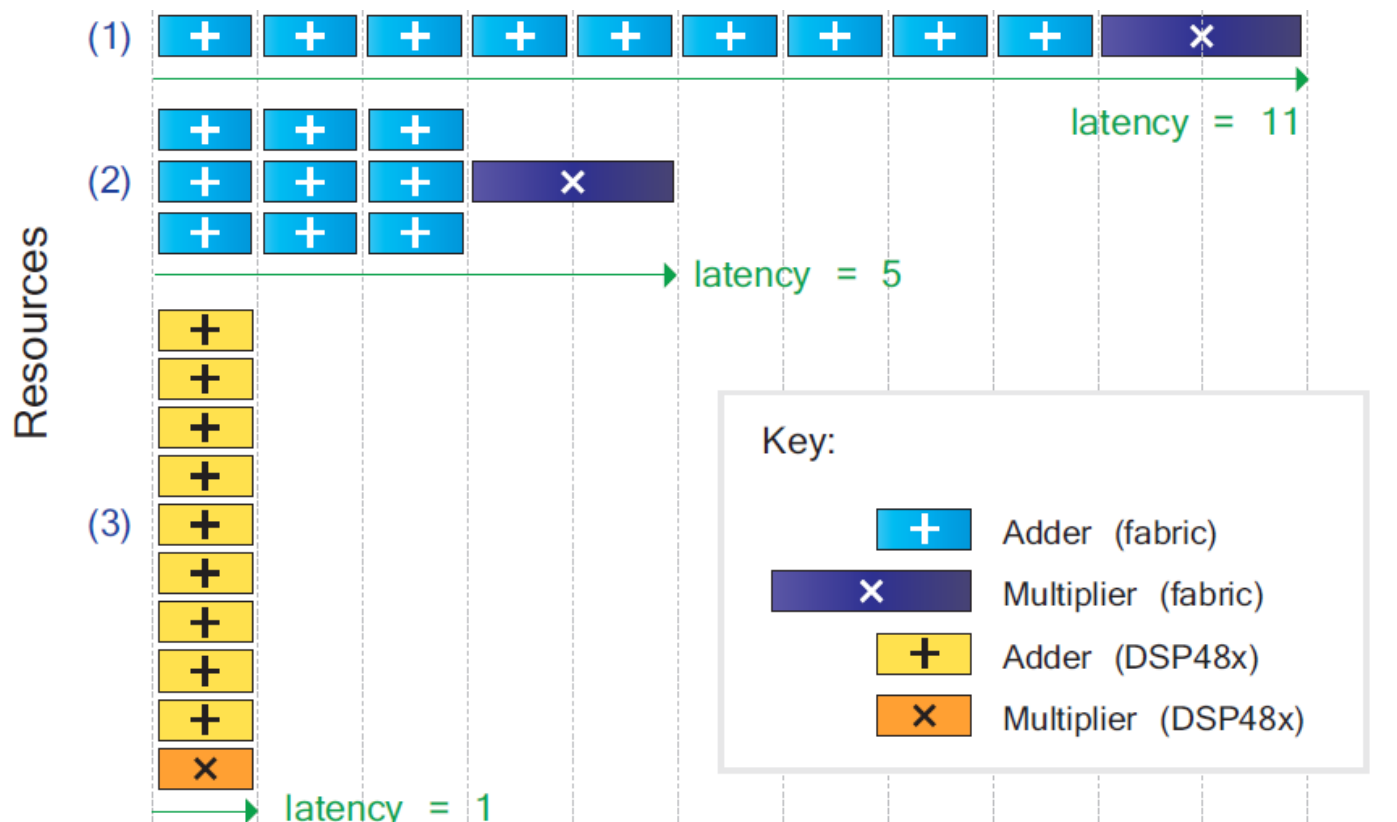
- **Scheduling** is the translation of the RTL statements interpreted from the C code into **a set of operations**, each with an associated duration in terms of clock cycles.
- **Binding** is the process of associating the scheduled operations with the physical resources of the **target device**.





2) Scheduling and Binding (Cont'd)

- The resulting implementation has a set of metrics including (i) **latency**, (ii) **throughput**, and (iii) the amount of **resources**.
 - By default, the HLS process optimizes **area** (i.e., the first strategy).



Example: Calculating the average of an array of ten numbers.



3) Optimizations

- The designer can dictate the HLS process towards the desired implementation goals:
 - **Constraints:** The designer places a **limit** on the design.
 - For instance, the minimum clock period may be specified.
 - This makes it easy to ensure that the implementation meets the requirements of the system into which it will be integrated.
 - **Directives:** The designer can exert more **specific influence** over aspects of the RTL implementation.
 - HLS tool provides pragmas that can be used to optimize the design.
 - For example, how the HLS treats loops or arrays identified in the C code, or the latency of particular operations.
 - This can yield significant changes to the RTL output
 - Therefore, with knowledge of the available directives, the designer can optimize according to application requirements.



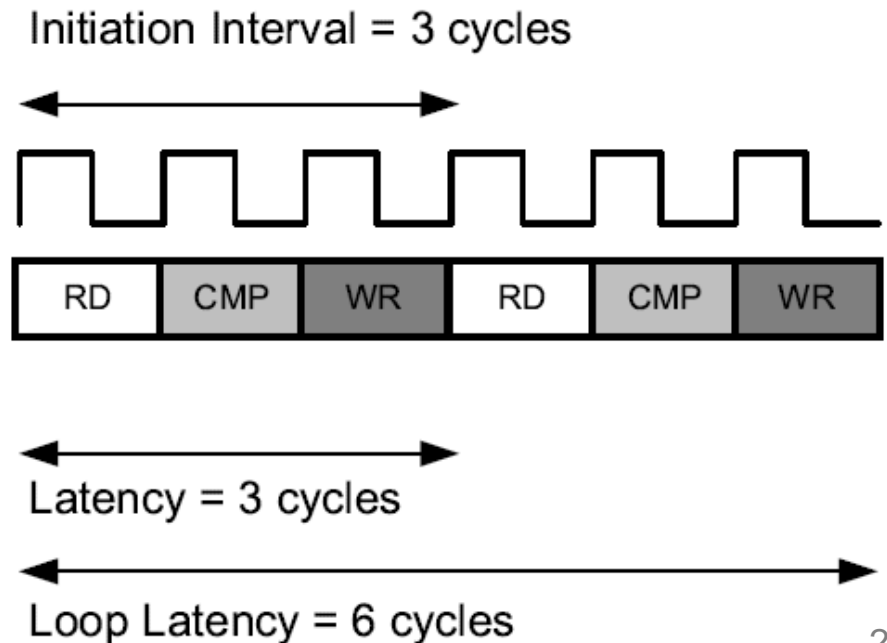
- High-Level Synthesis Concepts
 - What is, and Why High-Level Synthesis
 - Design Metrics in HLS
- Vivado High-Level Synthesis
 - Inputs and Outputs
 - High-Level Synthesis Process
 - Interface Synthesis
 - Algorithm Synthesis
 - Algorithm Case Study: Loops
 - Wrap-up: Vivado HLS Design Flow
- Lab Exercise: Accelerating Floating Point Matrix Multiplication with HLS

Algorithm Case Study: Loops



- **Loops** are used extensively in programming, and constitute a natural method of expressing operations that are repetitive in some way.
- By default, Vivado HLS seeks to optimize **area**:
Loops are automatically “rolled” (a.k.a. **rolled loops**).
 - That is, loops time-share a minimal set of hardware.
 - The operations in a loop are executed sequentially.
 - The next iteration can only begin when the last is done.

```
Loop:for(i=1;i<3;i++) {  
  op_Read;  
  op_Compute;  
  op_Write;  
}
```



Optimization #1: Loop Pipelining (1/2)

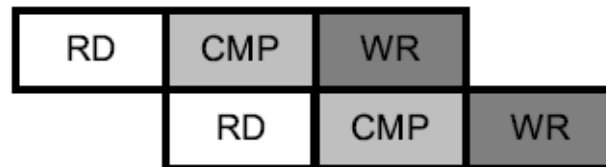


- Several **loop optimizations** can be made using **directives** in Vivado HLS.
 - Allowing the resulting implementation to be altered with just few or even no changes to the software code.
- **Loop pipelining** allows the operations in a loop to be implemented in a **concurrent** manner.
 - The **initiation interval (II)** is the number of clock cycles between the start times of consecutive loop iterations.

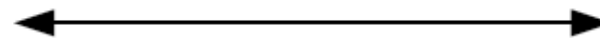
```
Loop:for(i=1;i<3;i++) {  
  op_Read;  
  op_Compute;  
  op_Write;  
}
```



Initiation Interval = 1 cycle



Latency = 3 cycles



Loop Latency = 4 cycles

Optimization #1: Loop Pipelining (2/2)



- To pipeline a loop, put the directive “**#pragma HLS pipeline [II=1]**” at the beginning of the loop body.
 - Vivado HLS automatically tries to pipeline the loop with the minimum initiation interval (II).
 - Without the optional II=1 , the best possible initiation interval 1 is used, meaning that input samples can be accepted on every clock cycle.

```
for (index_a = 0; index_a < A_NROWS; index_a++) {  
    for (index_b = 0; index_b < B_NCOLS; index_b++) {  
#pragma HLS PIPELINE II=1  
        float result = 0;  
        for (index_d = 0; index_d < A_NCOLS; index_d++) {  
            float product_term = in_A[index_a][index_d] * in_B[index_d][index_b];  
            result += product_term;  
        }  
        out_C[index_a * B_NCOLS + index_b] = result;  
    }  
}
```

Optimization #2: Loop Unrolling (1/2)



- **Loop unrolling** is a technique to exploit parallelism by creating **copies** of the loop body.
 - Unrolling a loop by a factor of N creates N copies of the loop body, and the loop variable referenced by each copy is updated accordingly.
 - If the factor N is less than the total number of loop iterations (10 in the below example), it is called a "partial unroll".
 - If the factor N is the same as the number of loop iterations, it is called a "full unroll".

Rolled Loops

```
int sum = 0;
for(int i = 0; i < 10; i++) {
    sum += a[i];
}
```

Loops Unrolled by a Factor of 2

```
int sum = 0;
for(int i = 0; i < 10; i+=2) {
    sum += a[i];
    sum += a[i+1];
}
```

Optimization #2: Loop Unrolling (2/2)



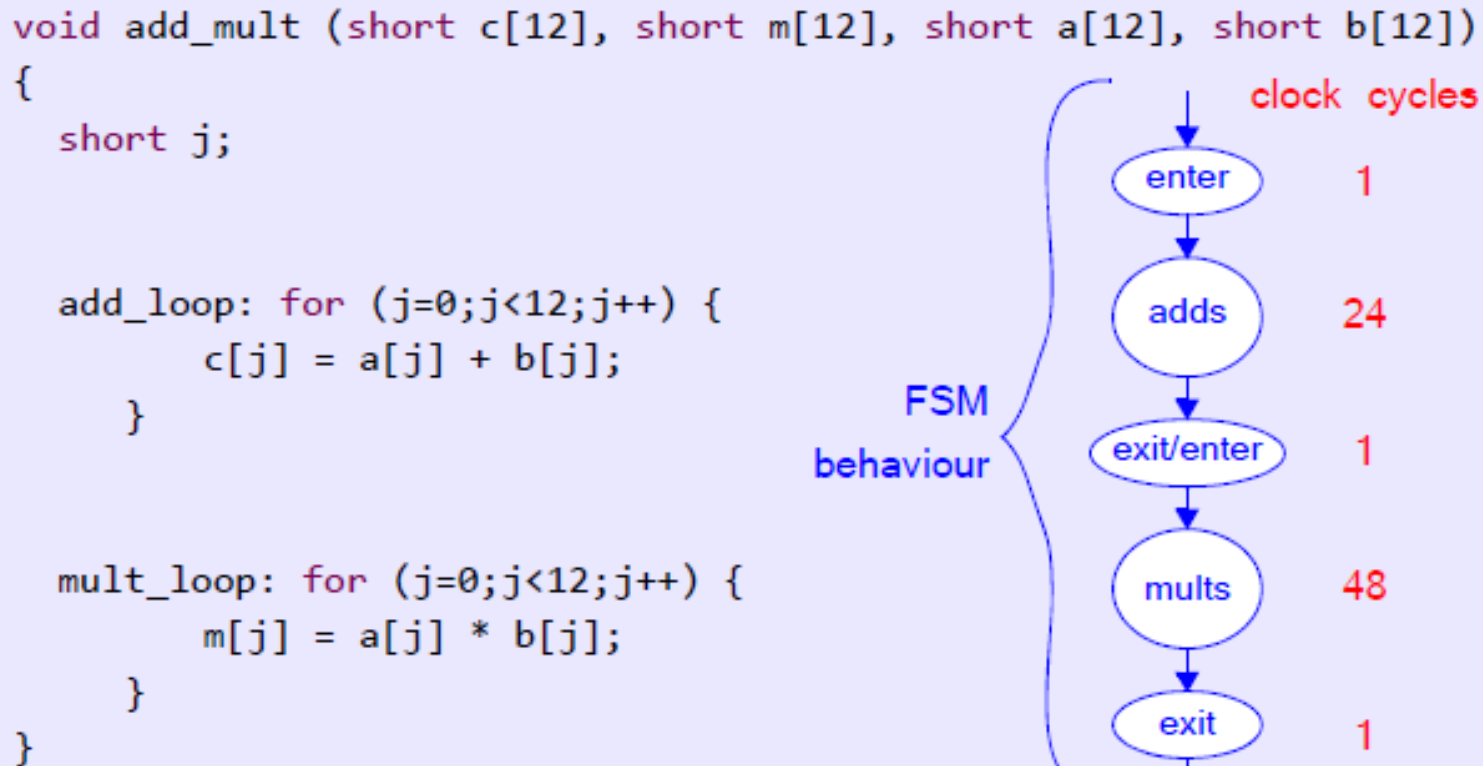
- **Loop unrolling** creates more operations in each loop iteration, resulting in **higher parallelism** and **throughput**.
- To unroll a loop, put the **directive “#pragma HLS unroll [factor=N]”** at the beginning of the loop.
 - Without the optional `factor=N`, the loop will be fully unrolled by default.

```
int sum = 0;
for(int i = 0; i < 10; i++) {
#pragma HLS unroll factor=2
    sum += a[i];
}
```


Optimization #3: Merging Loops (1/2)



- In some cases there might be **multiple loops** occurring one after the other in the code.
 - For instance, the addition loop is followed by a similar loop which multiplies the elements of the two arrays.



Optimization #3: Merging Loops (2/2)



- A possible optimization is to **merge** the two loops.
 - That is, both the addition and multiplication operations are conducted within the single loop body.

```
void add_mult (short c[12], short m[12], short a[12], short b[12])
{
    short j;

    add_mult_loop: for (j=0;j<12;j++) {
        c[j] = a[j] + b[j];
        m[j] = a[j] * b[j];
    }
}
```

clock cycles

State	Clock Cycles
enter	1
adds & mult	48
exit	1

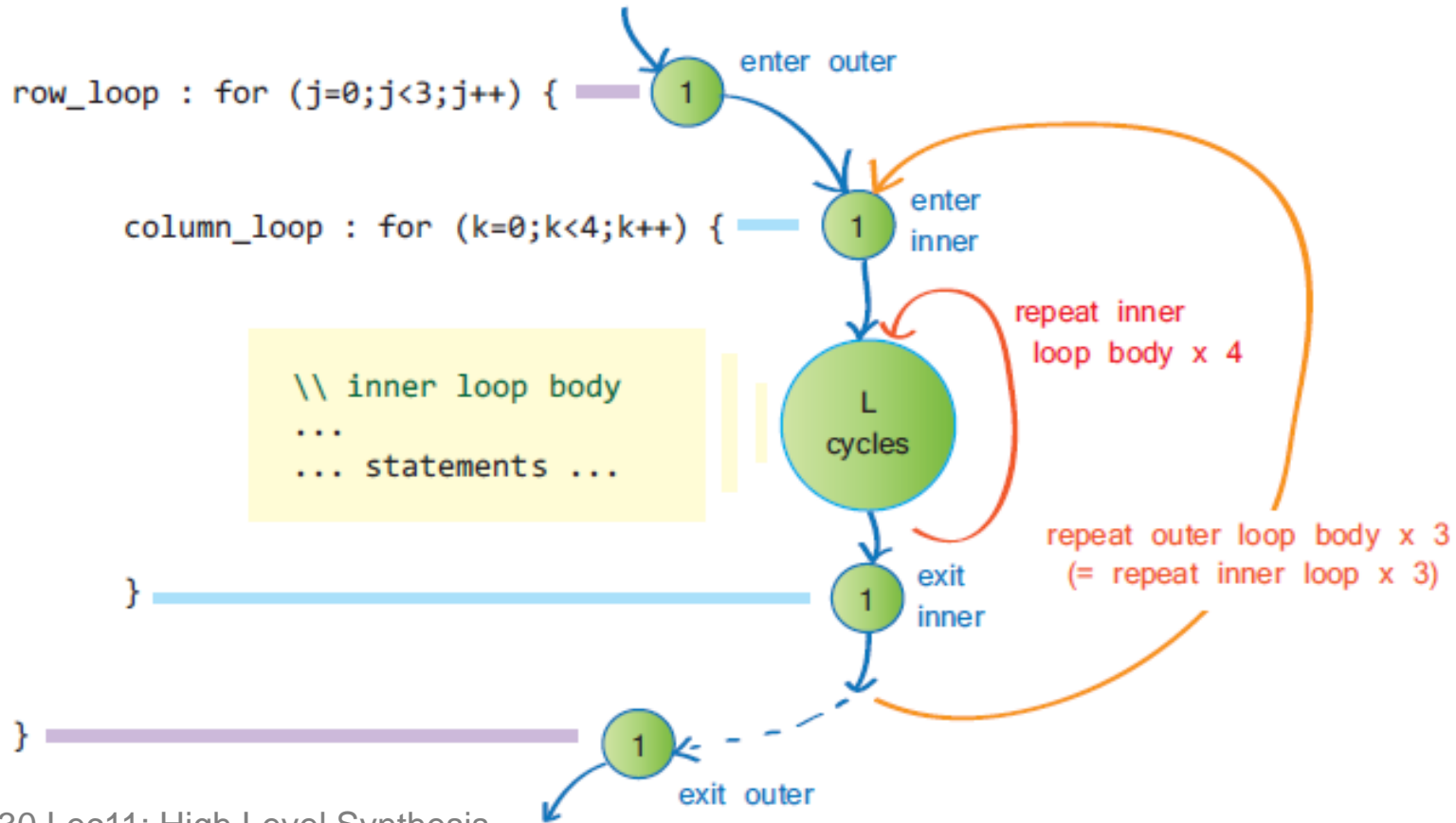
FSM behaviour

- To merge loops, put directive “**#pragma HLS loop_merge**” at the beginning of a function/loop body.
 - There is no need to explicitly change to the source code.

Optimization #4: Flattening Loops



- For **nested loops**, we have the option to “**flatten**” the loops by the **directive “#pragma HLS loop_flatten”**.
 - The advantage of flattening is to avoid the additional clock cycles associated with transitioning into or out of a loop.



Factors Limiting the Parallelism (1/2)



- Both loop pipelining and loop unrolling exploit the **parallelism** between loop iterations.
 - However, parallelism between loop iterations can be limited mainly by **data dependence** or **hardware resources**.
- A **data dependence** from an operation in one iteration to another operation in a subsequent iteration is called a **loop-carried dependence**.
 - The subsequent iteration cannot start until the operation in the current iteration has finished computing the values of a and b.
 - Array accesses are also a common source of loop-carried dependences.

```
while (a != b) {  
    if (a > b)  
        a -= b;  
    else  
        b -= a;  
}
```

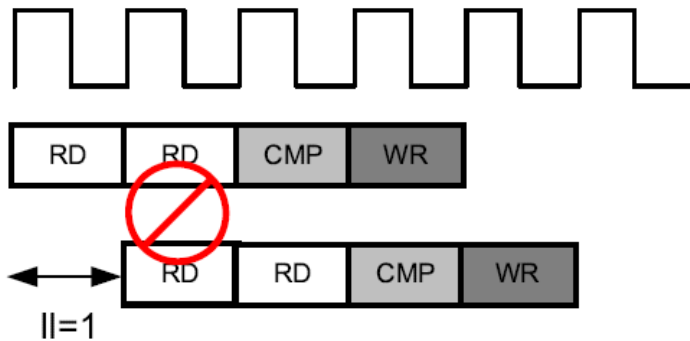
```
for (i = 1; i < N; i++)  
    mem[i] = mem[i-1] + i;
```

Factors Limiting the Parallelism (2/2)

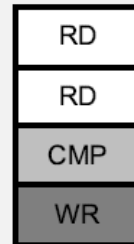


- Another limiting factor for parallelism is the number of available **hardware resources**.
 - If the loop is pipelined with an initiation interval of one, there are two read operations.
 - If the memory has only **one port**, then two read operations **cannot** be executed simultaneously and must be executed in two cycles.
 - Thus, the minimal initiation interval can only be two.

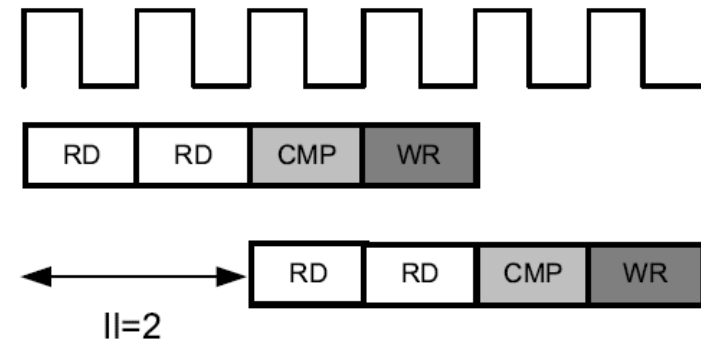
(A) Pipeline with $II=1$



```
void foo(m[2]...) {  
  op_Read_m[0];  
  op_Read_m[1];  
  op_Compute;  
  op_Write;  
}
```



(B) Pipeline with $II=2$



Array Optimization: Partition (1/3)

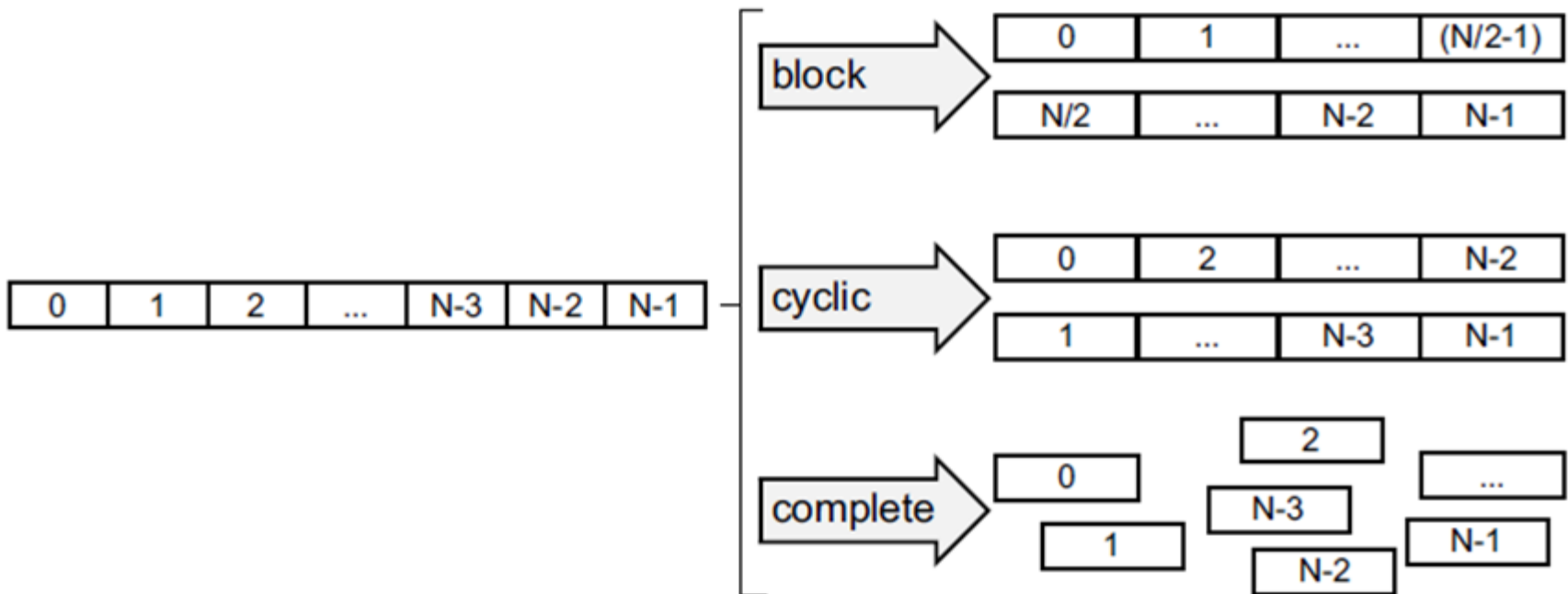


- Arrays are usually mapped to the Block RAM (BRAM) of PL, where BRAM has **limited read/write ports**.
- **Partitioning** an array into smaller arrays increases the port number and may improve the throughput.
- To partition an array, put **directive “#pragma HLS array_partition [arguments]”** within the boundaries where the array variable is defined.
 - **variable=<name>**: Specifies the array to be partitioned.
 - **<type>**: Optionally specifies the partition type.
 - **factor=<int>**: Specifies the number of smaller arrays that are to be created/partitioned.
 - **dim=<int>**: Specifies which dimension of a multi-dimensional array to partition.

Array Optimization: Partition (2/3)



- The `<type>` argument specifies the **partition type**:
 - **block**: Splits the array into **N equal blocks**, where N is the integer defined by the factor argument.
 - **cyclic**: Creates smaller arrays by **interleaving elements** from the original array.
 - **complete**: Decomposes the array into **individual elements**.



Array Optimization: Partition (3/3)



- The `<dim>` argument specifies **which dimension** of a multi-dimensional array to partition.
 - Non-zero value: Only the specified dimension is partitioned.
 - A value of 0: All dimensions are partitioned.

`my_array[10][6][4]` → partition dimension 3 →
`my_array_0[10][6]`
`my_array_1[10][6]`
`my_array_2[10][6]`
`my_array_3[10][6]`

`my_array[10][6][4]` → partition dimension 1 →
`my_array_0[6][4]`
`my_array_1[6][4]`
`my_array_2[6][4]`
`my_array_3[6][4]`
`my_array_4[6][4]`
`my_array_5[6][4]`
`my_array_6[6][4]`
`my_array_7[6][4]`
`my_array_8[6][4]`
`my_array_9[6][4]`

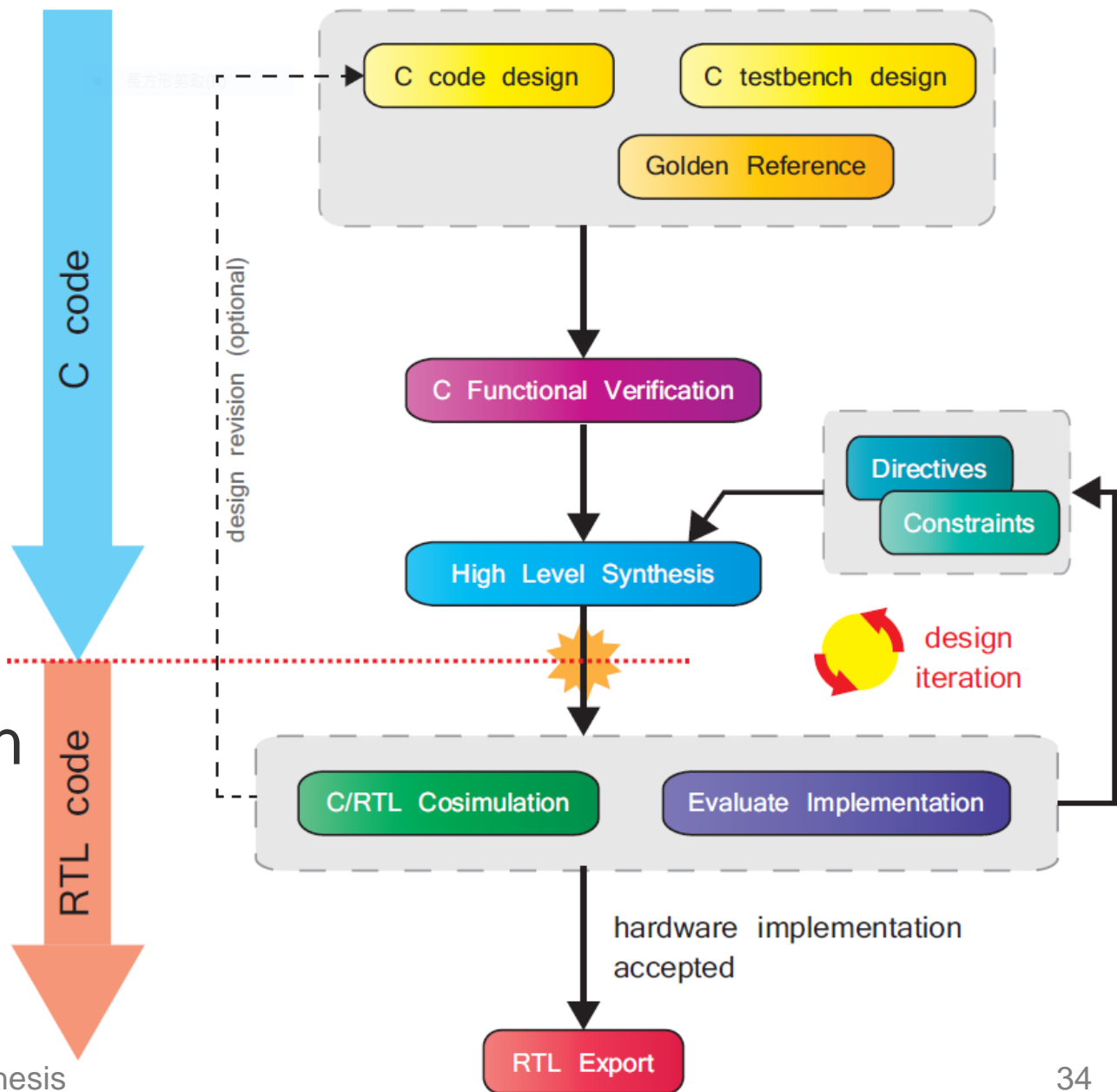
`my_array[10][6][4]` → partition dimension 0 → $10 \times 6 \times 4 = 240$ registers



- High-Level Synthesis Concepts
 - What is, and Why High-Level Synthesis
 - Design Metrics in HLS
- **Vivado High-Level Synthesis**
 - Inputs and Outputs
 - High-Level Synthesis Process
 - Interface Synthesis
 - Algorithm Synthesis
 - Algorithm Case Study: Loops
 - **Wrap-up: Vivado HLS Design Flow**
- Lab Exercise: Accelerating Floating Point Matrix Multiplication with HLS

Wrap-up: Vivado HLS Design Flow (1/5)

- ① Inputs to HLS
- ② Functional Verification
- ③ High-Level Synthesis
- ④ C/RTL Co-simulation
- ⑤ Evaluation of Implementation
- ⑥ Design Iterations
- ⑦ RTL Export



Wrap-up: Vivado HLS Design Flow (2/5)

① Inputs to the HLS Process

- A **C/C++/SystemC function**, along with
- A **C-based testbench** for verifying the operation.

② Functional Verification

- It is necessary to verify the **functional integrity** of the C/C++/SystemC code before synthesizing it into RTL code.
 - This can be achieved by writing a testbench in the same high-level language, and checking the results against the “golden reference”.

③ High-Level Synthesis

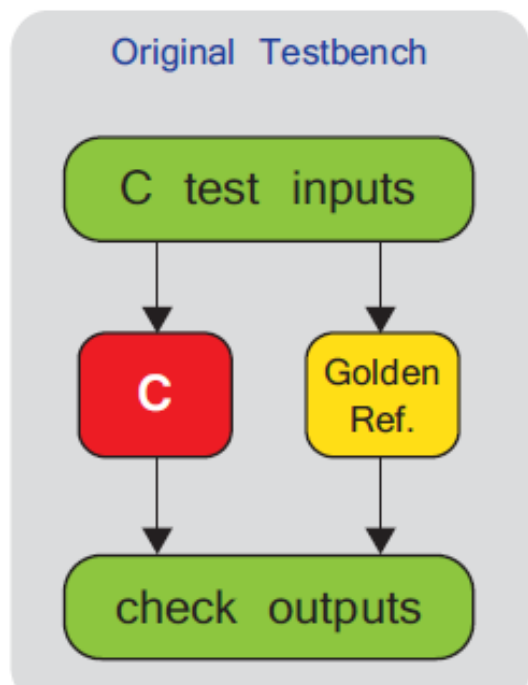
- It **transforms** C-based codes, together with user-supplied **directives**/constraints, into the RTL description of the circuit.
- Once completed, a set of output files is produced.
 - Including design files in the desired RTL language, and other log, report files, testbenches, scripts, etc.

Wrap-up: Vivado HLS Design Flow (3/5)

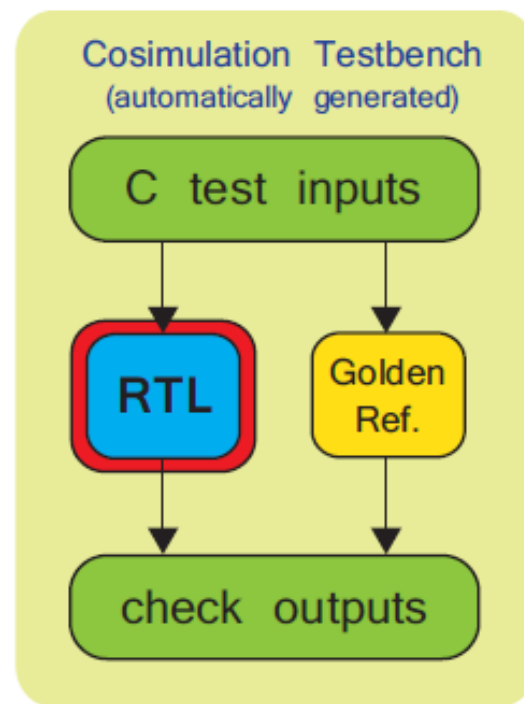
④ C/RTL Co-simulation (Optional)

- The produced RTL implementation can be **checked** against the original C/C++/SystemC code.
- This process re-uses the original, C-based testbench, saving the effort of generating a new RTL testbench.

Functional Verification



C/RTL Cosimulation



Vivado HLS
C/RTL Cosimulation
Process

Wrap-up: Vivado HLS Design Flow (4/5)

⑤ Evaluation of Implementation

- It is also necessary to **evaluate** the RTL output in terms of its implementation and performance.
 - For example, the numbers of resources it requires in the PL, the latency of the design, maximum supported clock frequency, etc.

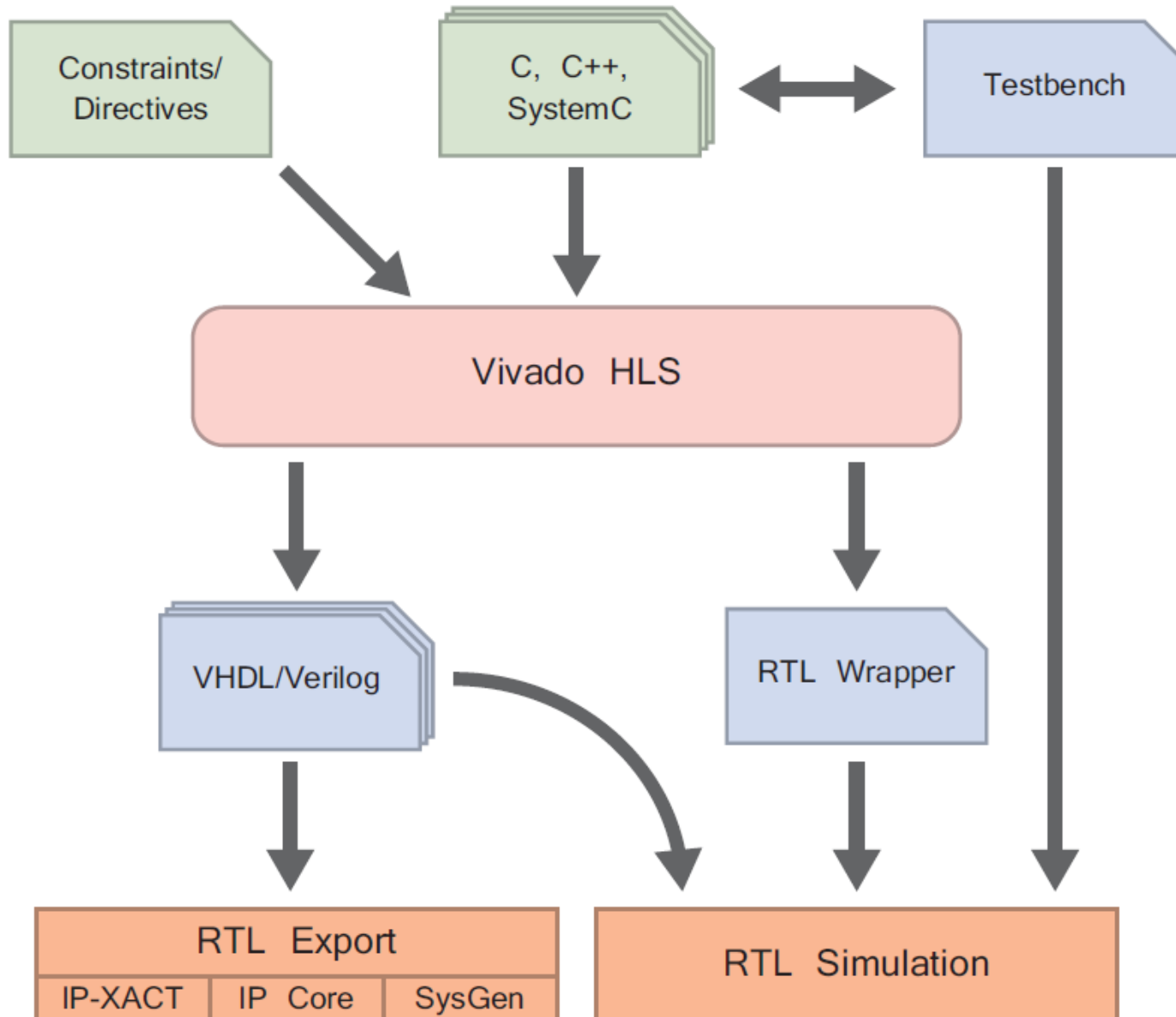
⑥ Design Iterations

- The constraints and directives can be **refined** based on the results of implementation evaluation.
- It is also possible to prompt more fundamental review and refinement of original algorithm, as designed in C code.

⑦ RTL Export

- The **RTL files** (i.e., VHDL or Verilog codes) can be used directly, or be packaged as an **IP core** for easing the integration with other Xilinx tools, such as IDE and SDK.

Wrap-up: Vivado HLS Design Flow (5/5)

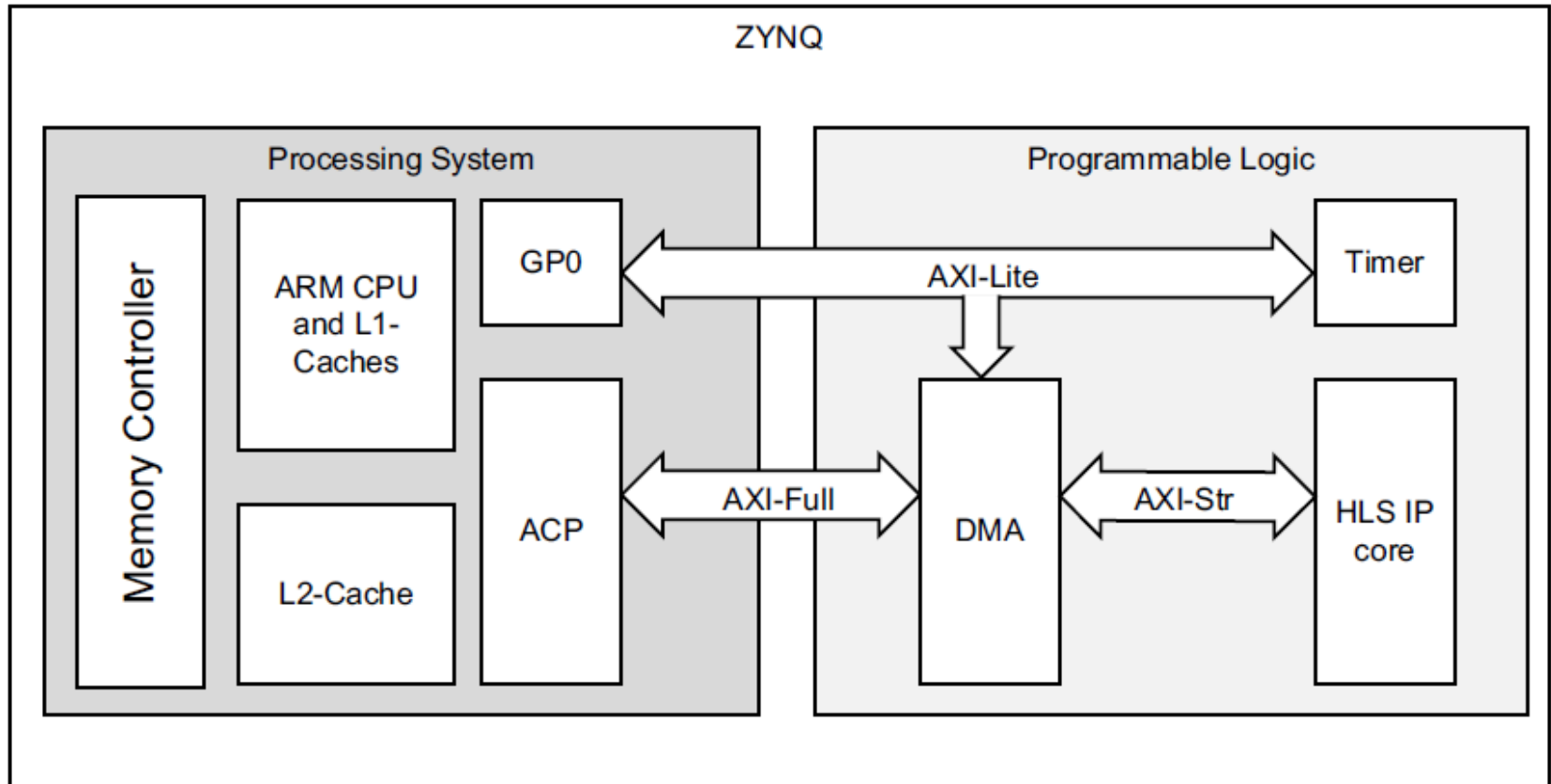




- High-Level Synthesis Concepts
 - What is, and Why High-Level Synthesis
 - Design Metrics in HLS
- Vivado High-Level Synthesis
 - Inputs and Outputs
 - High-Level Synthesis Process
 - Interface Synthesis
 - Algorithm Synthesis
 - Algorithm Case Study: Loops
 - Wrap-up: Vivado HLS Design Flow
- **Lab Exercise: Accelerating Floating Point Matrix Multiplication with HLS**

Lab Exercise: Matrix Multiplication (1/4)

- In this lab, we will develop an **accelerator** for the **floating point multiplication** on 32x32 matrices.
 - The accelerator is connected to an AXI DMA peripheral in PL and then to the accelerator coherence port (ACP) in PS.



Lab Exercise: Matrix Multiplication (2/4)

- The function to be **optimized** is defined in “mmult.h”:

```
template <typename T, int DIM>
void mmult_hw(T A[DIM][DIM], T B[DIM][DIM], T C[DIM][DIM])
{
    // matrix multiplication of a A*B matrix
    L1:for (int ia = 0; ia < DIM; ++ia)           ← L1 iterates over the
    {                                             rows of the input matrix A.
        L2:for (int ib = 0; ib < DIM; ++ib)     ← L2 iterates over columns
        {                                       of the input matrix B.
            T sum = 0;
            L3:for (int id = 0; id < DIM; ++id) ← L3 multiplies each
            {                                   element of row vector A
                sum += A[ia][id] * B[id][ib];  with an element of column
            }                                   vector B and accumulates it
        }                                       to the elements of a row of
        C[ia][ib] = sum;                       the output matrix C.
    }
}
```

- How to? Simply put **directives** properly to direct HLS!

Lab Exercise: Matrix Multiplication (3/4)

- **Resource Cost** (Post-Implementation Utilization)

Utilization - Post-Implementation

Resource	Utilization	Available	Utilization %
LUT	4195	53200	7.89
LUTRAM	250	17400	1.44
FF	5054	106400	4.75
BRAM	8	140	5.71
DSP	5	220	2.27
BUFG	1	32	3.13

The higher, the worse!

Graph **Table**

Post-Synthesis **Post-Implementation**

Lab Exercise: Matrix Multiplication (4/4)

- Performance (Latency and HW/SW Speedup)

Performance Estimates

- Timing (ns)

- Summary

Clock	Target	Estimated	Uncertainty
ap_clk	10.00	8.41	1.25

- Latency (clock cycles)

- Summary

Latency		Interval		Type
min	max	min	max	
332872	332872	332873	332873	none

The higher,
the worse!

- Detail

- Instance

- Loop

SDK Log Terminal 1

Serial: (COM6, 115200, 8, 1, None, None - CONNECTED) - Encoding: (ISO-8859-1)

DMA Init done

Loop time for 1024 iterations is -2 cycles

Running Matrix Mult in SW

Total run time for SW on Processor is 25880 cycles over 1024 tests.

Cache cleared

Total run time for AXI DMA + HW accelerator is 333830 cycles over 1024 tests

Acceleration factor: 0.77

The lower,
the worse!



- High-Level Synthesis Concepts
 - What is, and Why High-Level Synthesis
 - Design Metrics in HLS
- Vivado High-Level Synthesis
 - Inputs and Outputs
 - High-Level Synthesis Process
 - Interface Synthesis
 - Algorithm Synthesis
 - Algorithm Case Study: Loops
 - Wrap-up: Vivado HLS Design Flow
- Lab Exercise: Accelerating Floating Point Matrix Multiplication with HLS